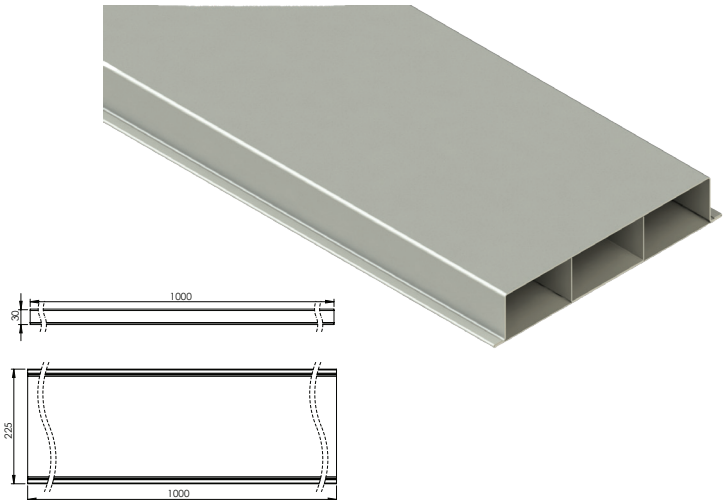




UNDERFLOOR TRUNKING

Подпольные Короба

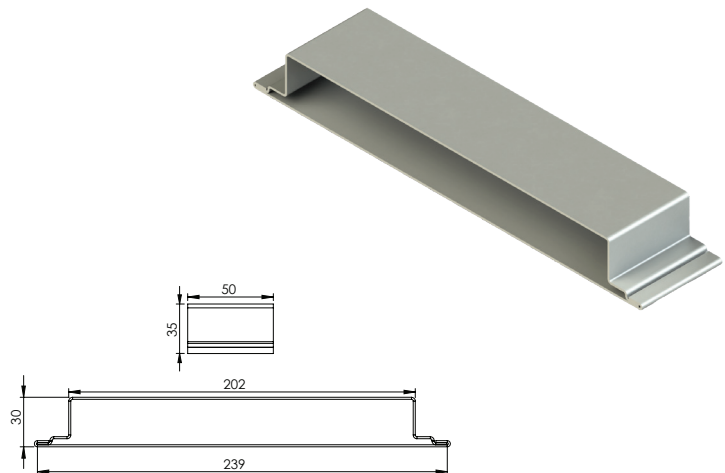
Product Code-1 Код Товара	H mm	L mm	T mm	Weight / Bec (Kg / Mt)
A 12-3D-U PG	30	120	1,00	0,267
A 16-3D-U PG	30	160	1,00	3,020
A 20-3D-U PG	30	200	1,20	3,300
A 24-3D-U PG	30	240	1,20	4,080
A 30-3D-U PG	30	300	1,20	4,710
A 12-4D-U PG	40	120	1,00	5,840
A 16-4D-U PG	40	160	1,00	5,460
A 20-4D-U PG	40	200	1,20	6,780
A 24-4D-U PG	40	240	1,20	6,600
A 30-4D-U PG	40	300	1,20	8,100



UNDERFLOOR TRUNKING STRAIGHT CONNECTORS

Соединитель для Подпольных Коробов

Product Code-1 Код Товара	H mm	L mm	T mm	Weight / Штык (Kg/Pcs)
A1 12-3D PG	30	120	1,00	0,210
A1 16-3D PG	30	160	1,00	0,230
A1 20-3D PG	30	200	1,20	0,265
A1 24-3D PG	30	240	1,20	0,300
A1 30-3D PG	30	300	1,20	0,360
A1 12-4D PG	40	120	1,00	0,220
A1 16-4D PG	40	160	1,00	0,240
A1 20-4D PG	40	200	1,20	0,275
A1 24-4D PG	40	240	1,20	0,315
A1 30-4D PG	40	300	1,20	0,370



UNDERFLOOR TRUNKING 90°VERTICAL BENDS

Подъем 90 Для Подпольных Коробов

Product Code-1 Код Товара	H mm	L mm	T mm	Weight / Штык (Kg/Pcs)
112-3D PG	30	120	1,00	1,160
116-3D PG	30	160	1,00	1,355
120-3D PG	30	200	1,20	1,770
124-3D PG	30	240	1,20	1,980
130-3D PG	30	300	1,20	2,290
112-4D PG	40	120	1,00	1,210
116-4D PG	40	160	1,00	1,420
120-4D PG	40	200	1,20	1,810
124-4D PG	40	240	1,20	2,035
130-4D PG	40	300	1,20	2,350

